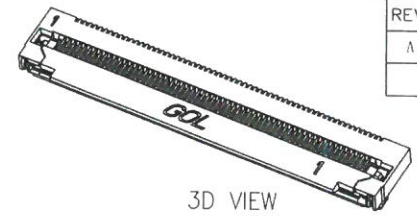
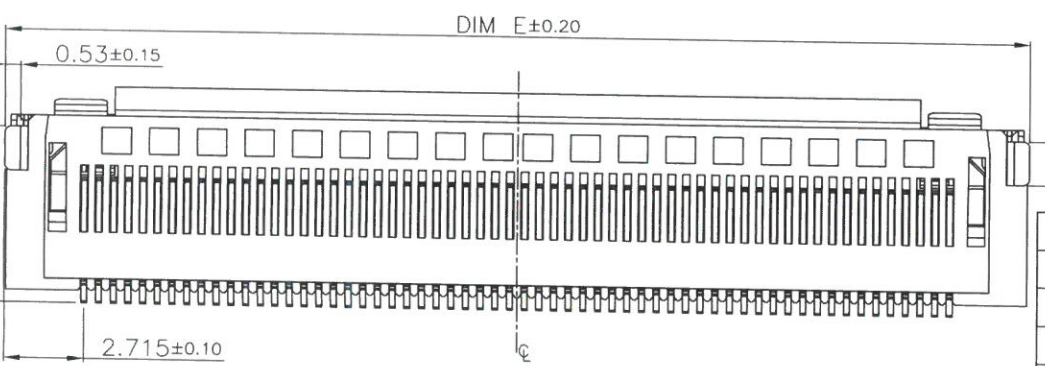
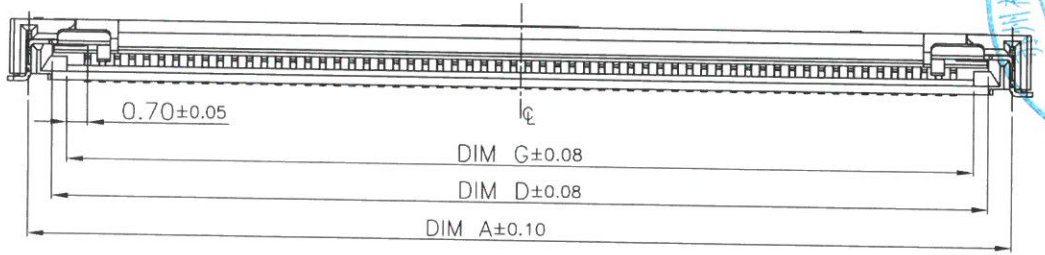
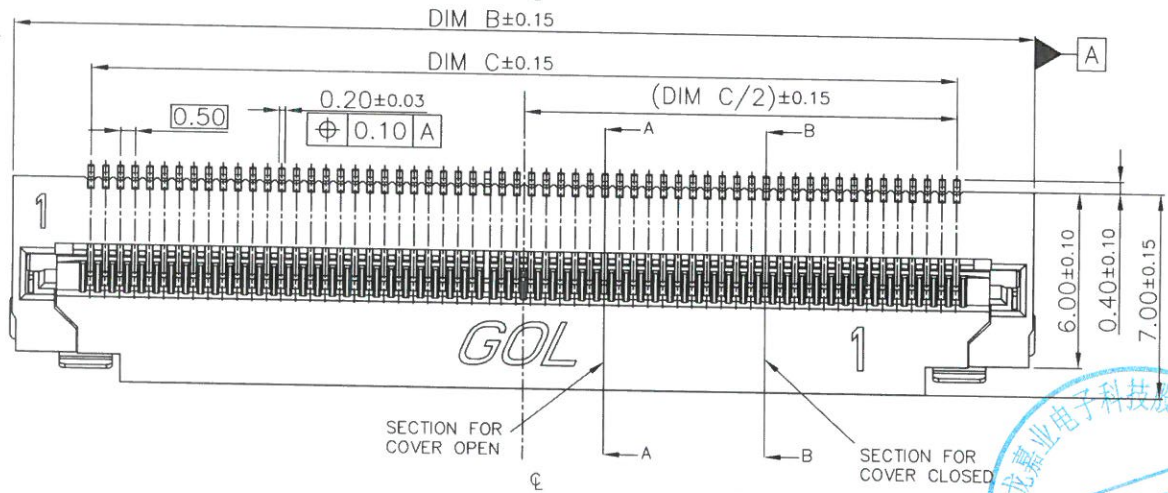
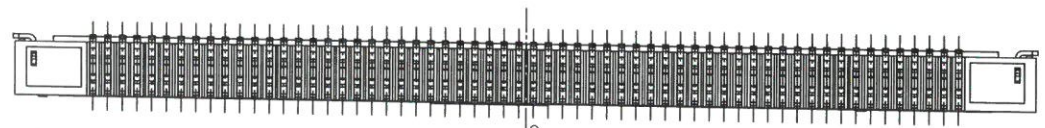
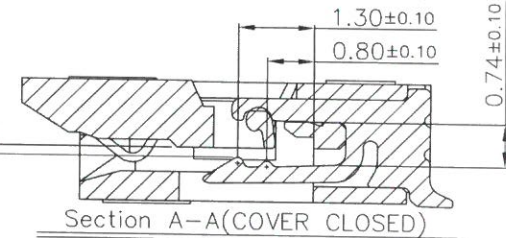
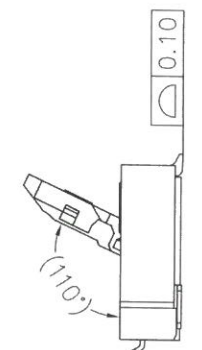
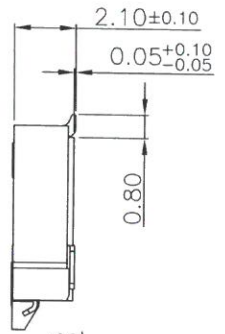


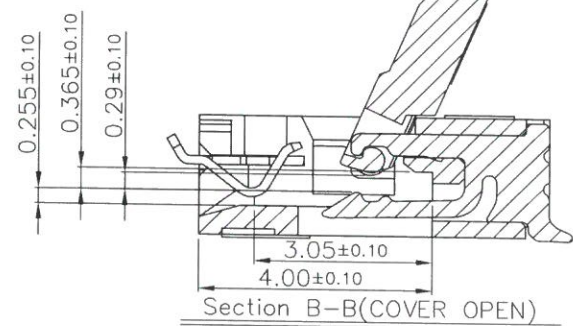
REV.	ECN.NO.	MODIFY.CONTENT	DATE
A		初版发行	01/05' 21



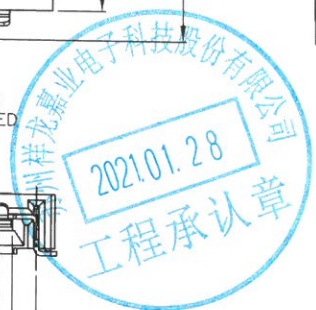
3D VIEW



SCALE 2:1

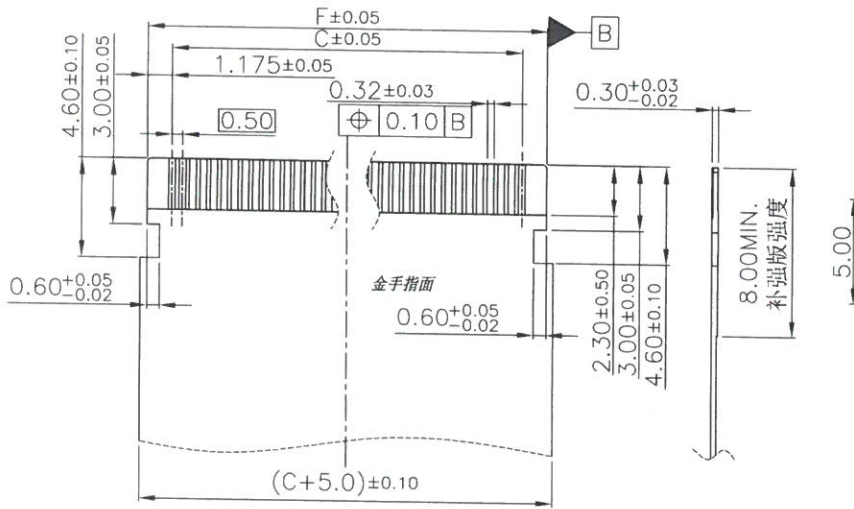


SCALE 2:1

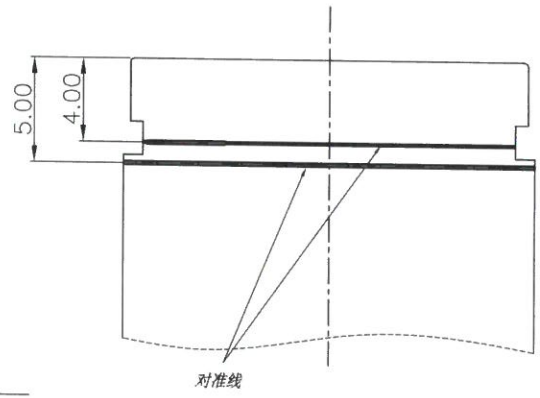


GENERAL TOLERANCE		DRAWN	Wilson Sun	2021.01.05	SCALE	PART NO.	1F05064***CO* _ **
X. ± 0.30	x. ± 3'	CHECKED	Shengjie Chu	2021.01.05	1/1	TITLE	0.5 FPC CONN
.X ± 0.25	.x ± 2'	APPROVED	Cunfa Lai	2021.01.05	UNITS	mm	CUSTOMER DRAWING
.XX ± 0.20		File NO.	F0506401S				
.XXX ± 0.10		REV.					
SHEET	1/3	Q'TY	1	A	蘇州祥龍嘉業電子有限公司 Goldenconn Electronic Technology Co.,LTD		

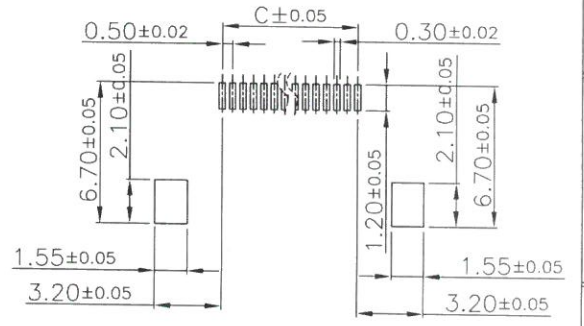
REV.	ECN.NO.	MODIFY.CONTENT	DATE
A		初版发行	01/05' 21



APPLICABLE FPC RECOMMENDED DIMENSION
蓝白裸线 (不接地)

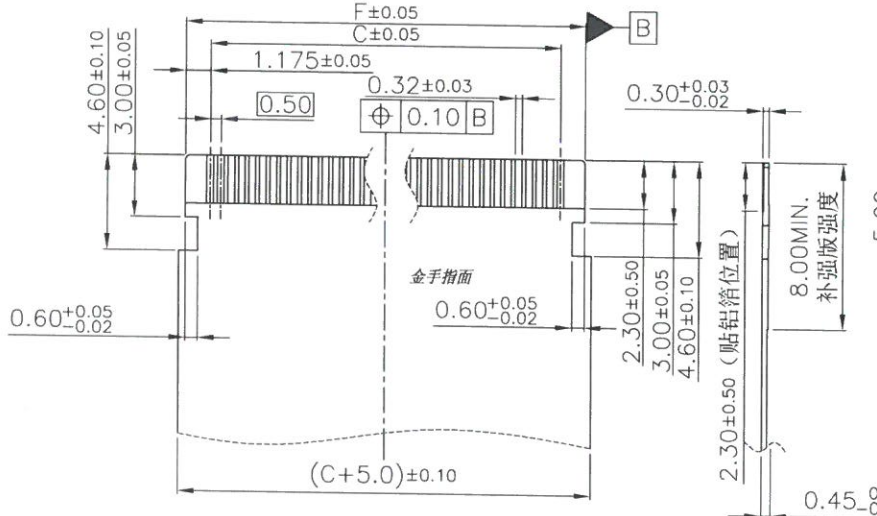


对准线

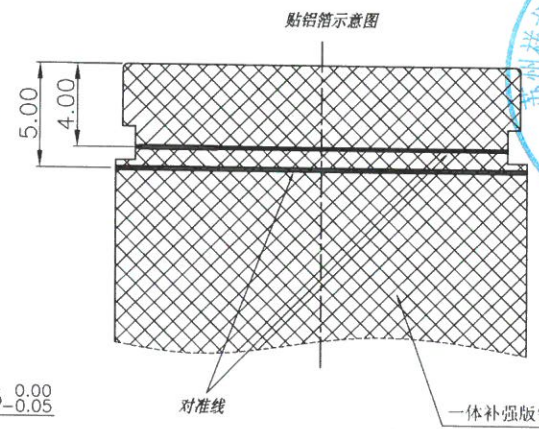


P.C.B LAYOUT

NOTES:
Housing: LCP PLASTIC (Color: Natural) UL 94V-0
COVER: LCP PLASTIC (Color: Black) UL 94V-0
Terminal: PHOSPHOR COPPER, Gold flash plating on contact area over Ni 30~150u"
Hook: PHOSPHOR COPPER, Sn 50~200u" over Ni 30~150u"
Current Rating: 0.5A DC
Voltage Rating: 50V AC Max
Temperature Range: -40°C~+85°C
Contact Resistance: 30 mΩ Max
Insulation Resistance: 100 MΩ Min
Withstanding Voltage: 500V AC/minute



APPLICABLE FPC RECOMMENDED DIMENSION
一体补强板铝箔FPC线



对准线

一体补强板铝箔



TABLE OF DIM.

POS.	A	B	C	D	E	F	G
96	51.53	52.80	47.50	49.90	52.93	49.85	48.90
80	43.53	44.80	39.50	41.90	44.93	41.85	40.90
68	37.53	38.80	33.50	35.90	38.93	35.85	34.90
60	33.53	34.80	29.50	31.90	34.93	31.85	30.90
59	33.03	34.30	29.00	31.40	34.43	31.35	30.40
51	29.03	30.30	25.00	27.40	30.43	27.35	26.40
50	28.53	29.80	24.50	26.90	29.93	26.85	25.90
42	24.53	25.80	20.50	22.90	25.93	22.85	21.90
41	24.03	25.30	20.00	22.40	25.43	22.35	21.40
30	18.53	19.80	14.50	16.90	19.93	16.85	15.90
28	17.53	18.80	13.50	15.90	18.93	15.85	14.90
25	16.03	17.30	12.00	14.40	17.43	14.35	13.40
20	13.53	14.80	9.50	11.90	14.93	11.85	10.90
15	11.03	12.30	7.00	9.40	12.43	9.35	8.40
10	8.53	9.80	4.50	6.90	9.93	6.85	5.90

1 F 05064 * ** C * * - **

FPC Type _____
Serial number _____
F: Gold flash _____
T: Matte Tin flash _____
No. of circuits _____

00: Rohs
HF: Halogen free
2: With mylar & Reel packing
3: Without mylar & Reel packing
0: Natural
1: Black

GENERAL TOLERANCE		DRAWN	WILSON SUN	2021.01.05	SCALE	PART NO.	1F05064***C0* **
X.±0.30	x.*±1'	CHECKED	Shengjie Chu	2021.01.05	1/1	TITLE	0.5 FPC CONN
.X±0.25	.x*±0.1'	APPROVED	Cunfa Lai	2021.01.05	UNITS	mm	CUSTOMER DRAWING
.XX±0.20		File NO.	F0506401S				
.XXX±0.10		REV.					
SHEET	2/3	Q'TY	1	A	蘇州祥龍嘉業电子有限公司 Goldenconn Electronic Technology Co.,LTD		

REV.	ECN.NO.	MODIFY.CONTENT	DATE
A		初版发行	01/05' 21

- NOTES :
- MATERIAL :
COVER TAPE : P.S T=0.05mm
CARRIER TAPE : P.S T=0.35mm
CARTON: CORRUGATED FIBER
 - DIMENSION :
REEL : SEE DRAWING
SHIPPING BOX: 350X350X300mm
 - QUANTITY : SEE TABLE
 - PEELING RESISTANCE : 10gf~130gf
 - PEELING SPEED : 300mm/MINUTES

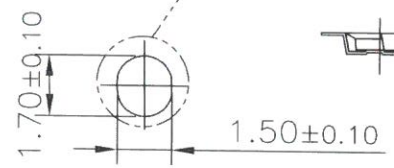
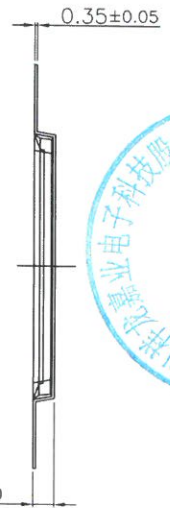
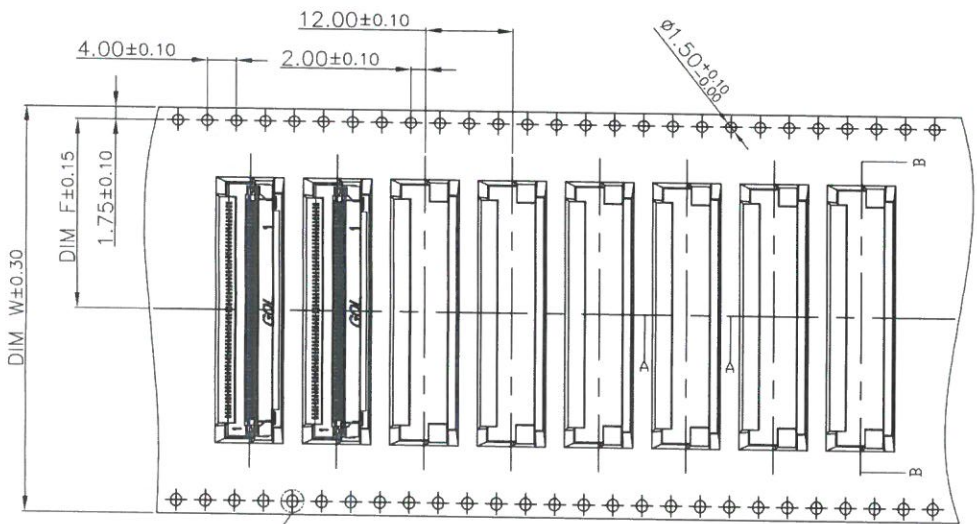
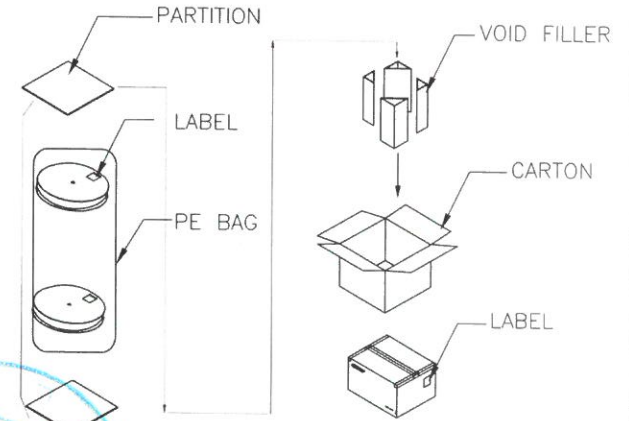
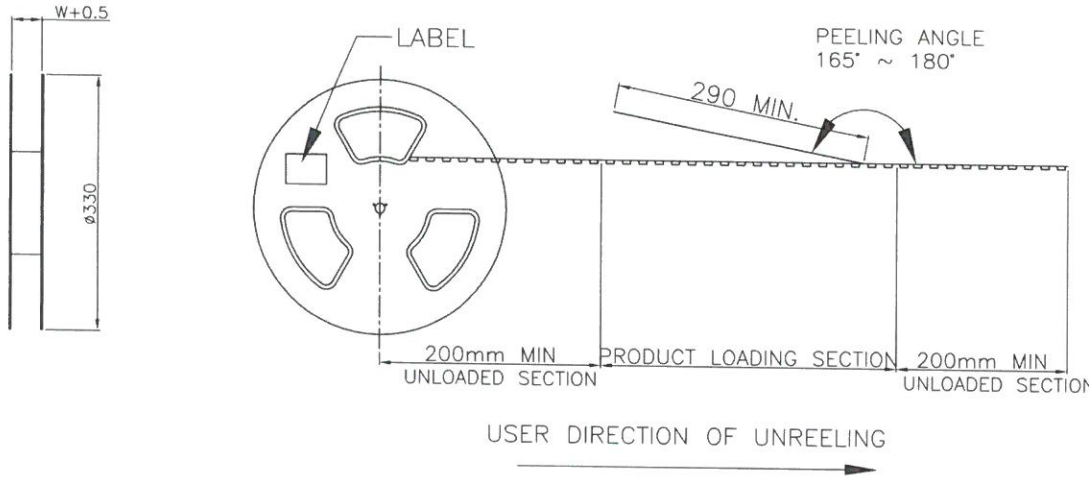
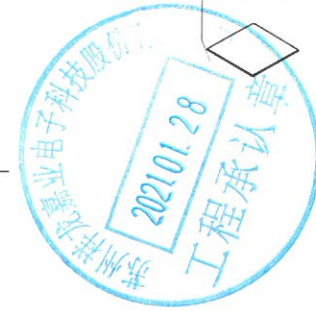


TABLE OF DIM.

POS.	PCS/REEL	BOX/REEL	DIM W	DIM F
96	2000	6000	72	34.20
80	2000	6000	72	34.20
68	2000	8000	56	26.20
60	2000	8000	56	26.20
59	2000	8000	56	26.20
51	2000	10000	44	20.20
50	2000	10000	44	20.20
42	2000	10000	44	20.20
41	2000	10000	44	20.20
30	2000	14000	32	14.20
28	2000	14000	32	14.20
25	2000	14000	32	14.20
20	2000	18000	24	10.20
15	2000	18000	24	10.20
10	2000	18000	24	10.20



GENERAL TOLERANCE		DRAWN	Wilson Sun	2021.01.05	SCALE	PART NO.	1F05064***CO* _ **
X.±0.30	x.*±1'	CHECKED	Shengjie Chu	2021.01.05	1/1	TITLE	0.5 FPC CONN
.X±0.25	.x*±0.1'	APPROVED	Cunfa Lai	2021.01.05	UNITS	mm	CUSTOMER DRAWING
.XX±0.20		File NO.	F0506401S				
.XXX±0.10		REV.					
SHEET	3/3	Q'TY	1	A	蘇州祥龍嘉業電子有限公司 Goldenconn Electronic Technology Co.,LTD		